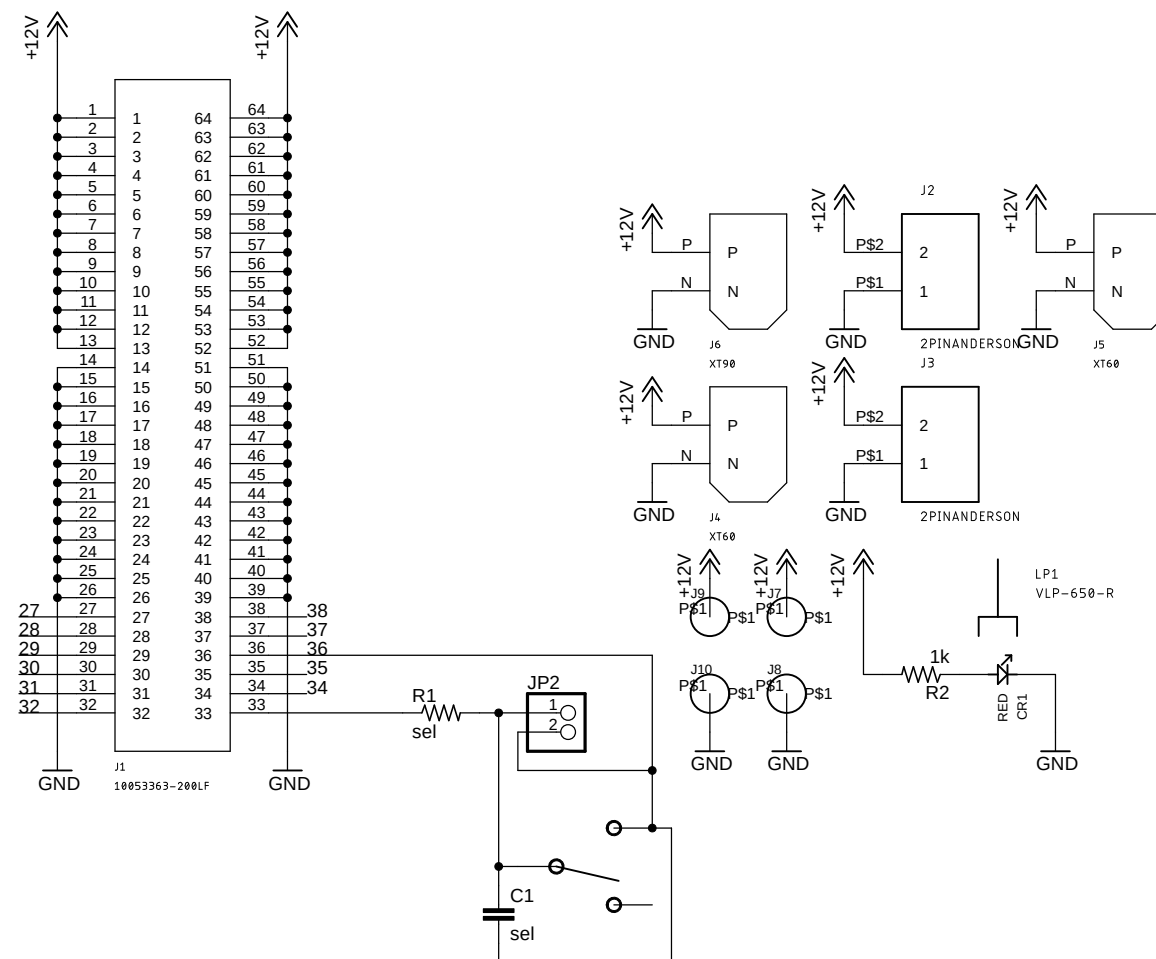


# Common Slot Breakout V2

- The Banana Jack Part is 575-4
- I placed the banana jacks 750 mil apart as that is standard US dual plug spacing
- The switch is 100SP1T1B1M1QEH
- The light pipe is VLP-650-R
- The light pipe is available in various heights
- Enable is available on a header.
- This allows the power switch to be DNP if you want to save \$2



knot