

Geiger Counter Rev2

ESP32

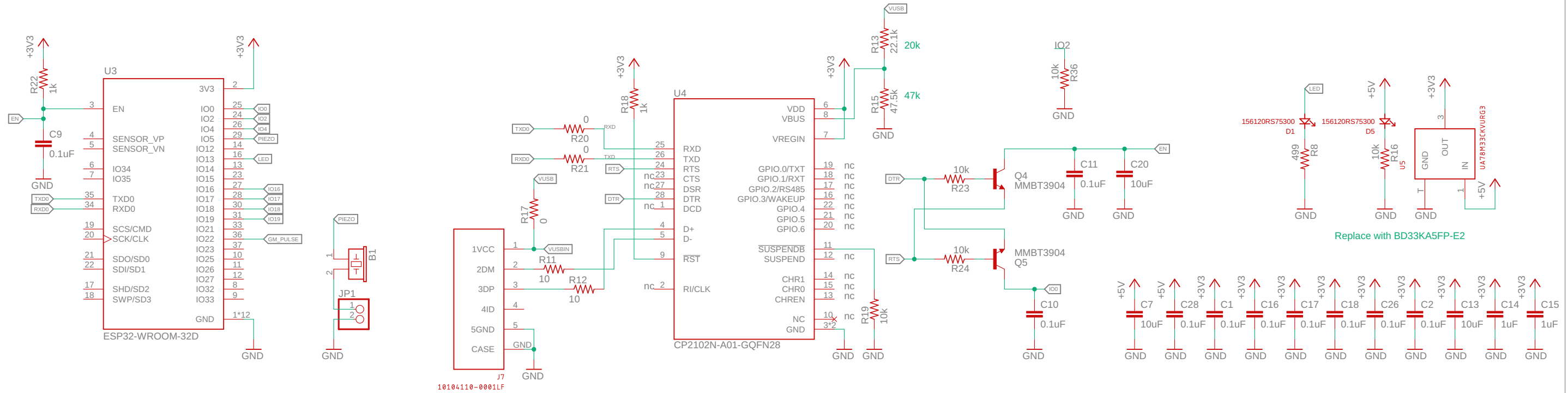
Buzzer

USB to Serial

Necessary bits for programming

Bypass Cap & LEDs

Linear Regulator



1 Cell Lipo Charger

18650 Holder and Fuse

Power Switch

Undervoltage Protection

High Voltage Power Supply

Bias Resistors & Geiger Tube

Impulse Detection

